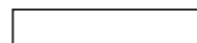
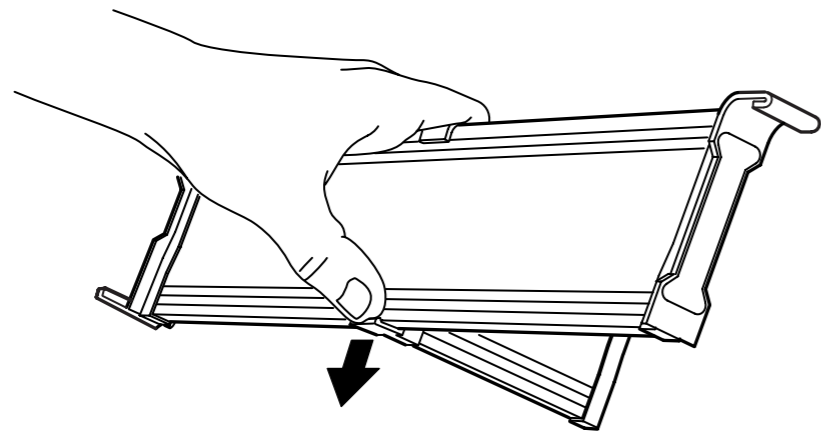
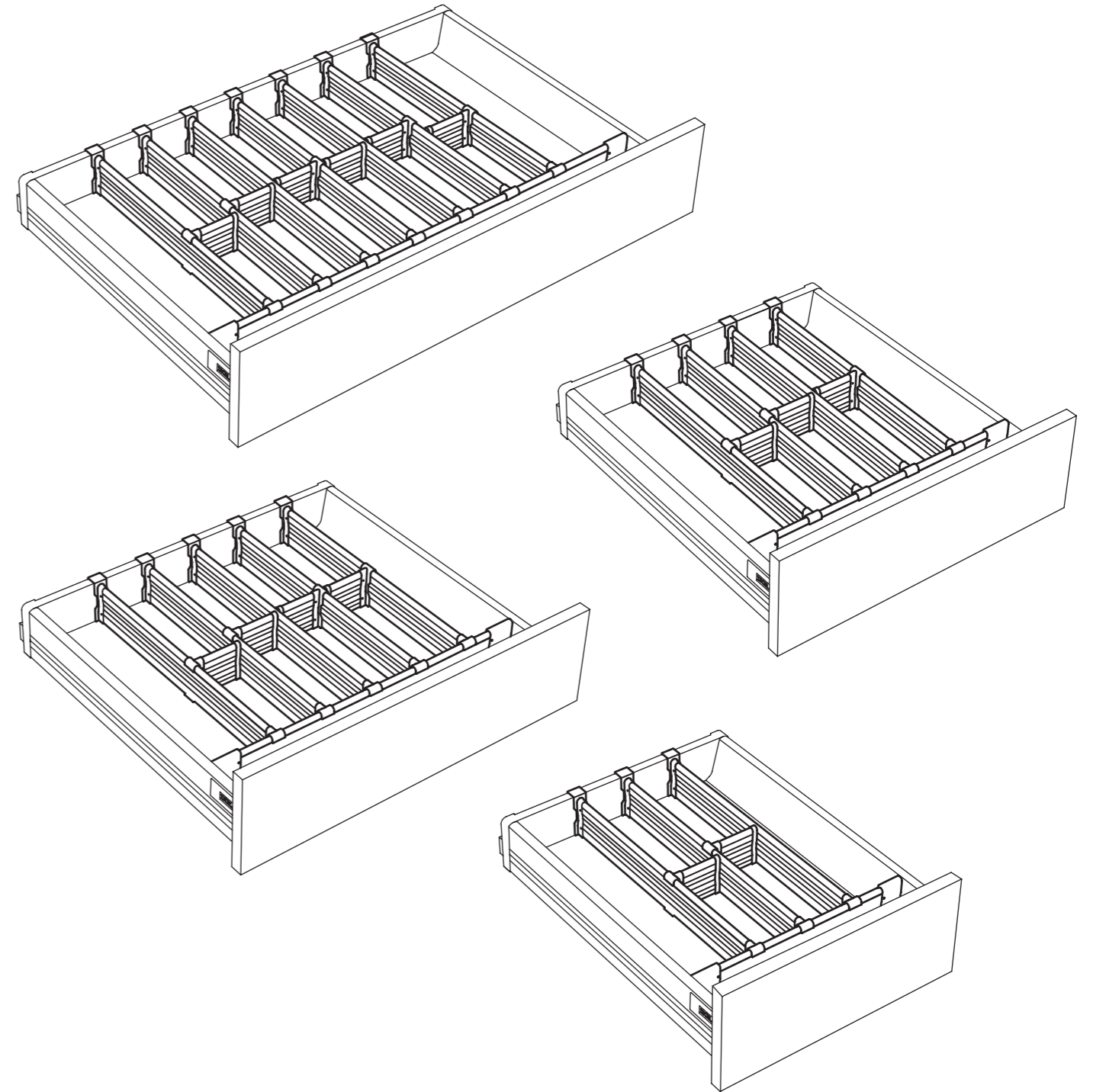
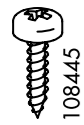
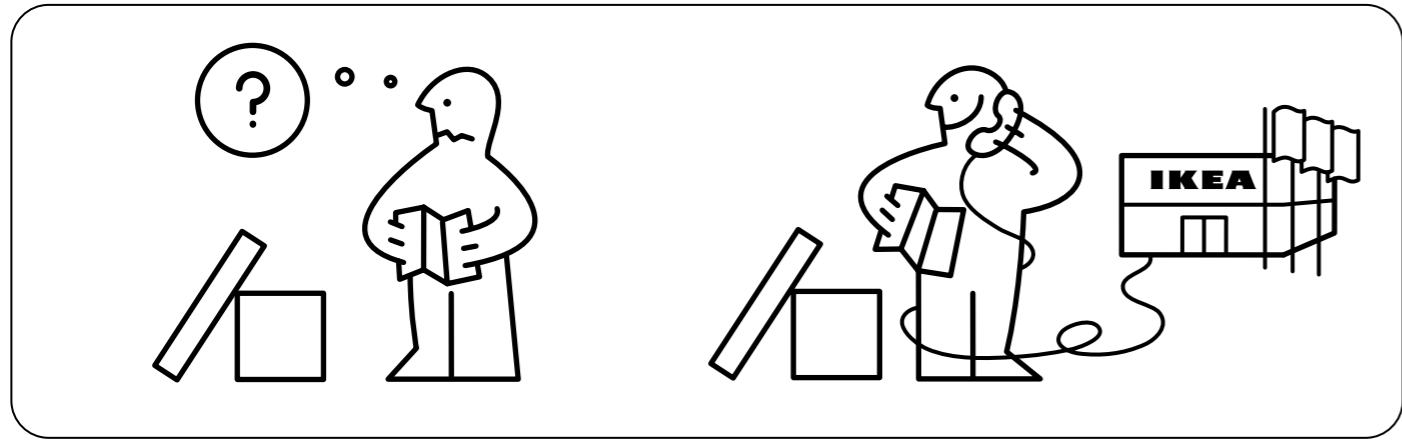
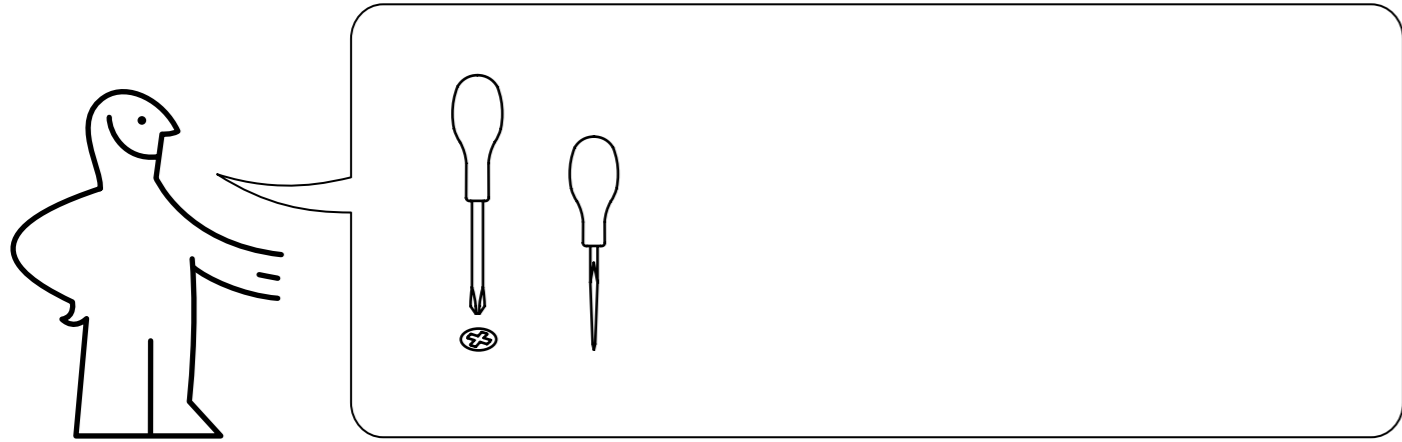
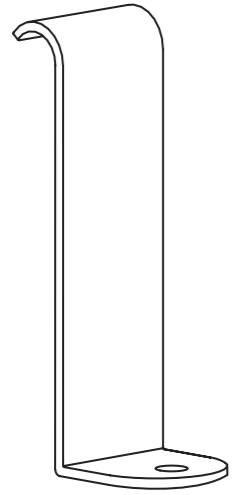


RATIONELL



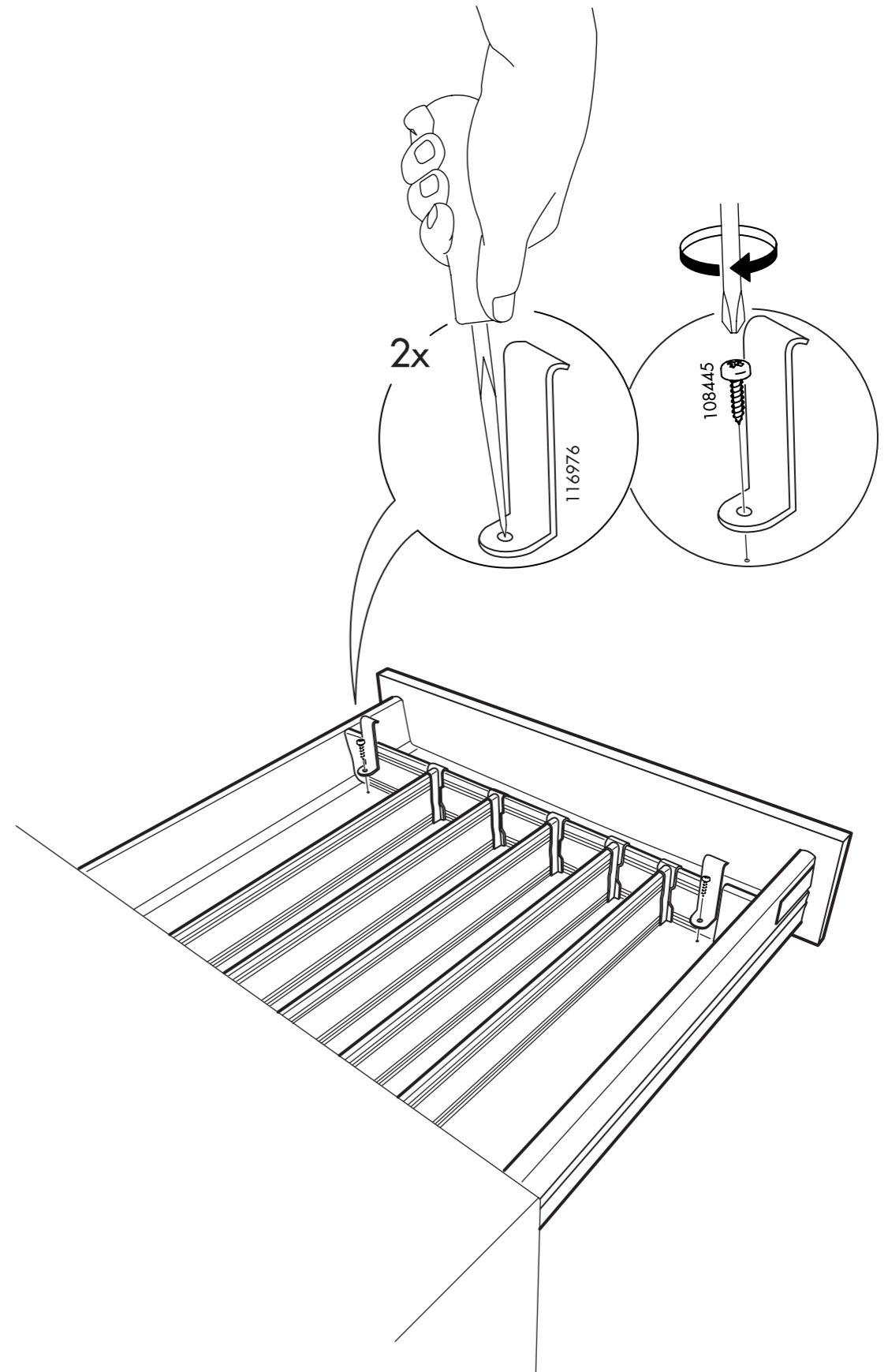


2x

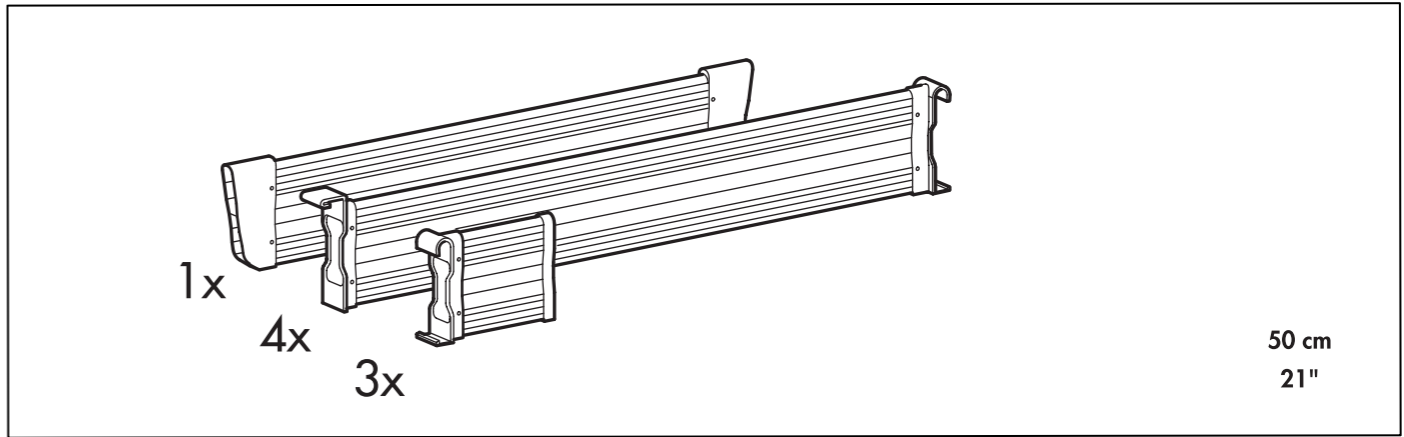
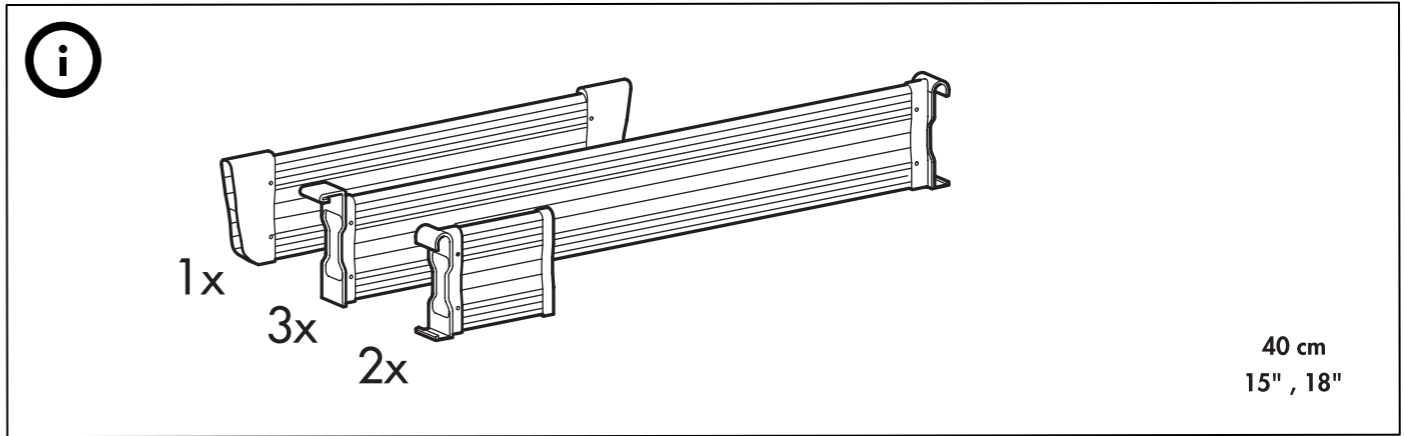
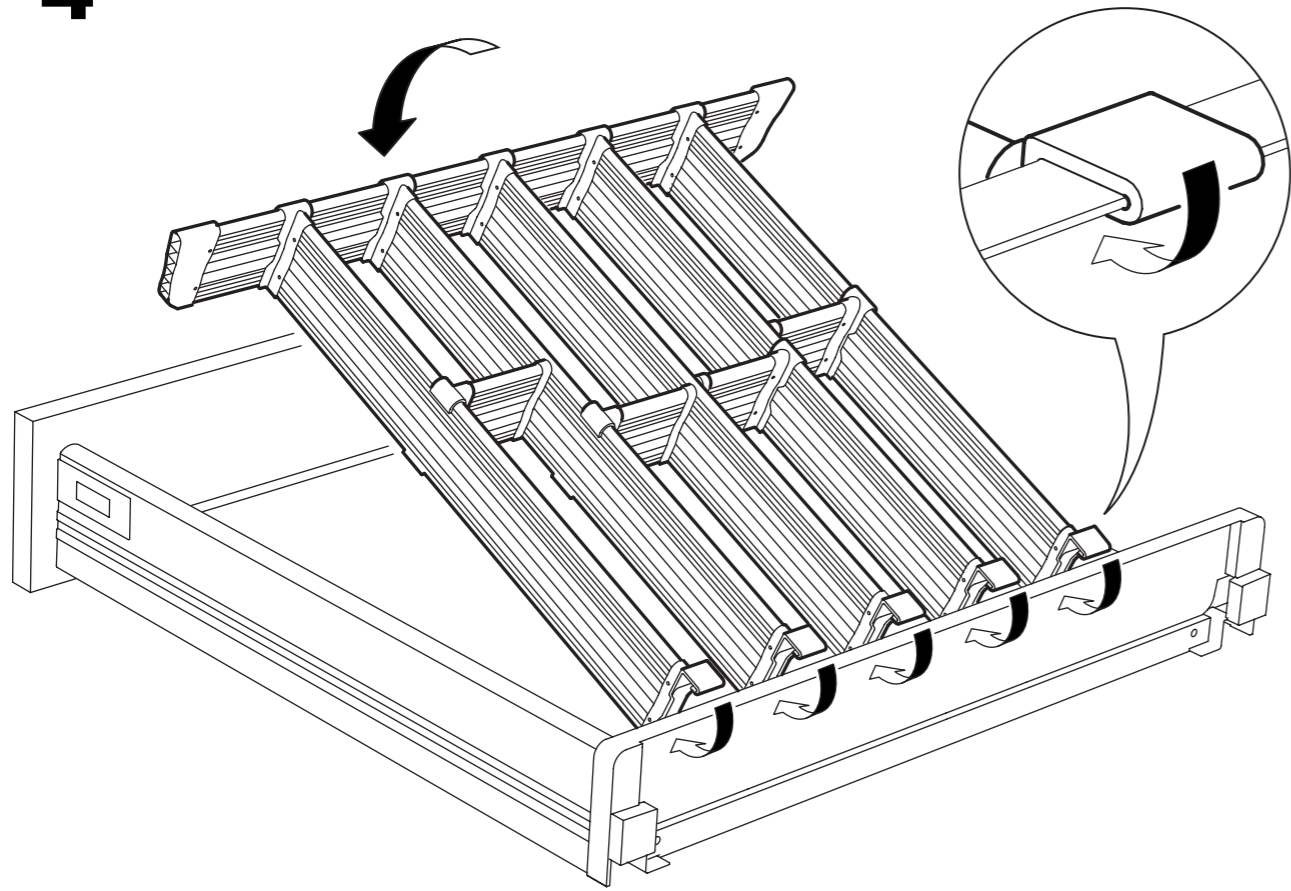


2x

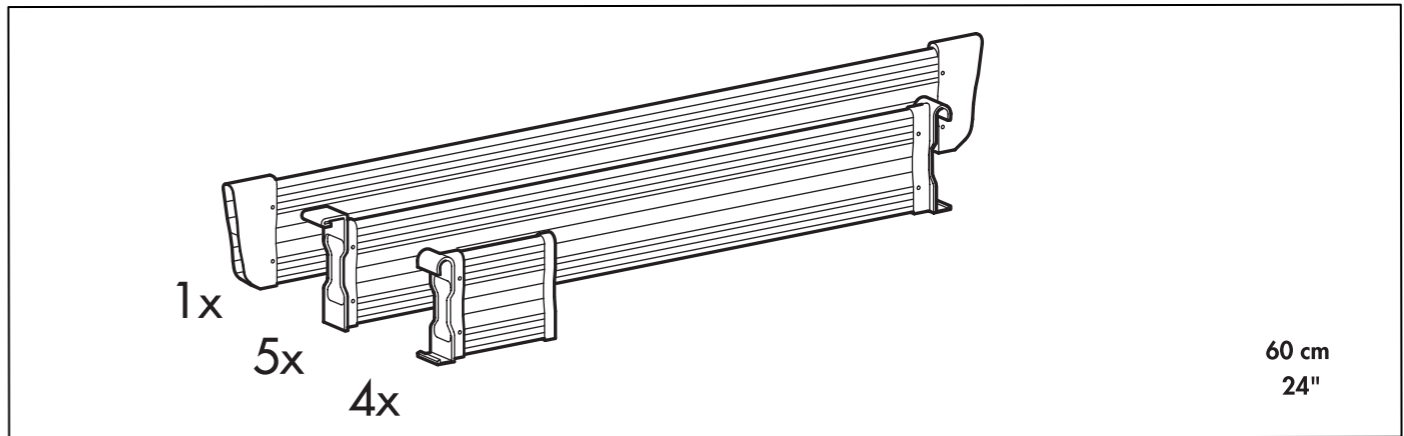
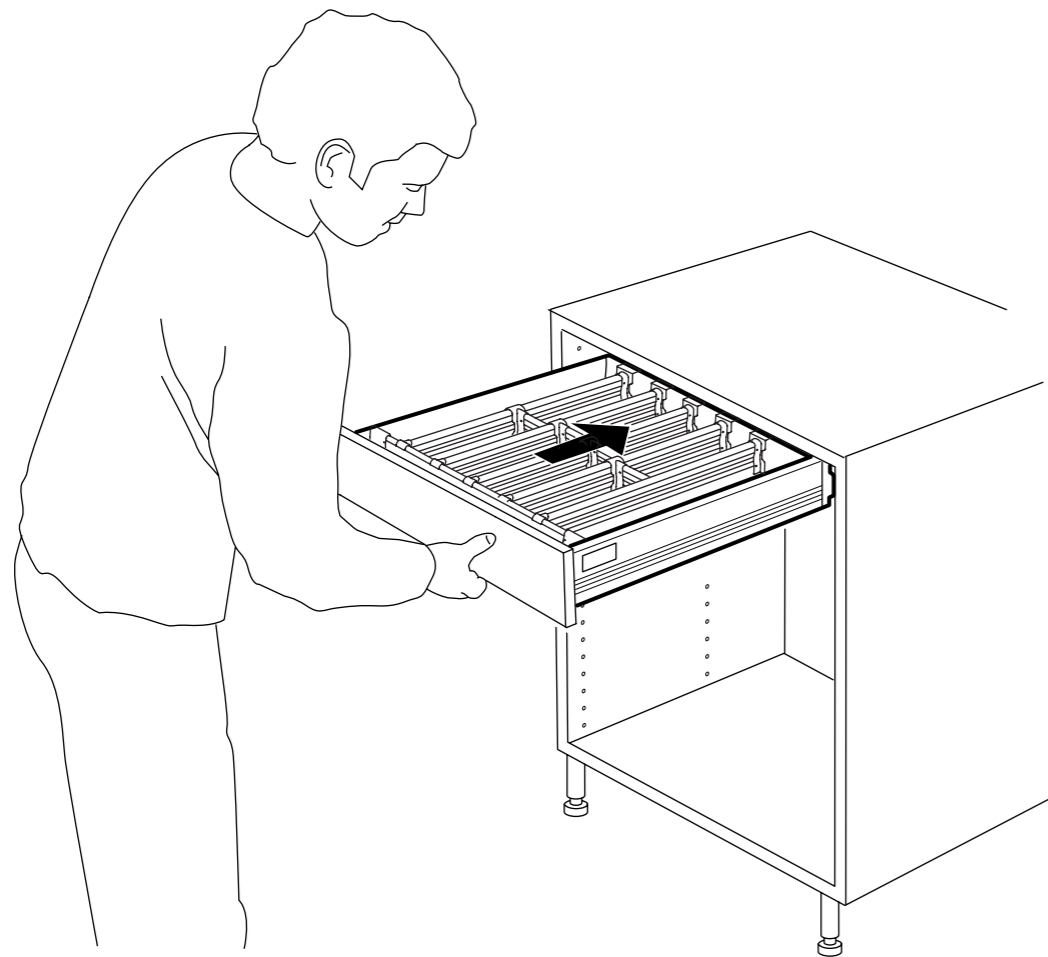
6

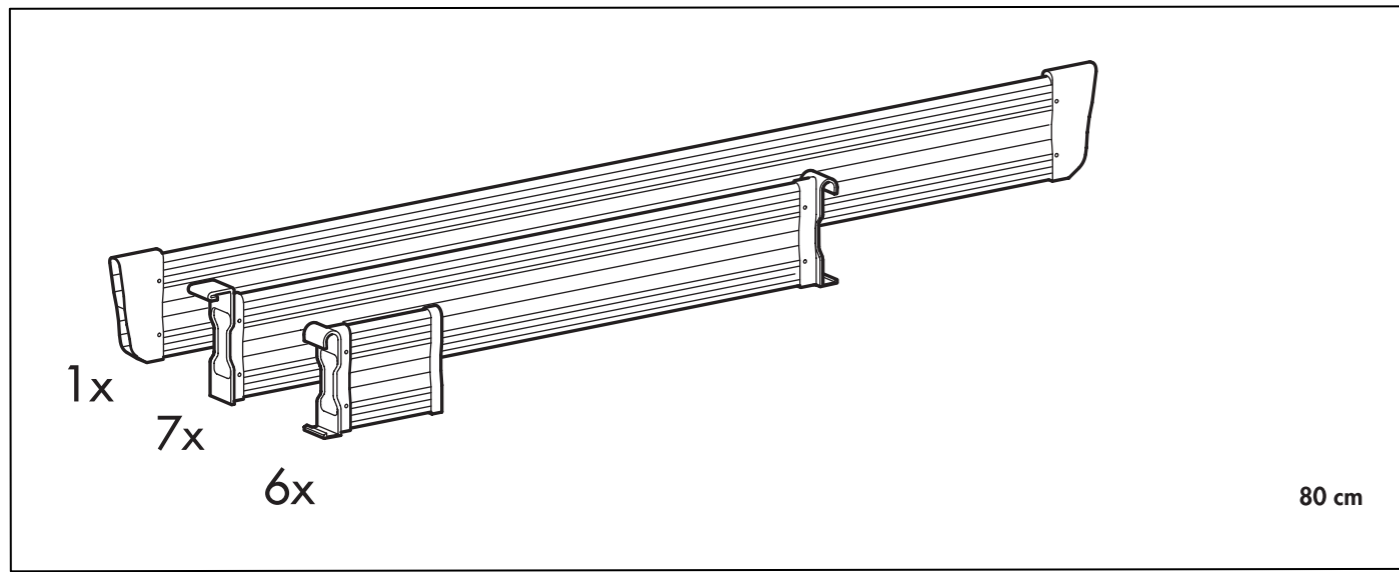


4

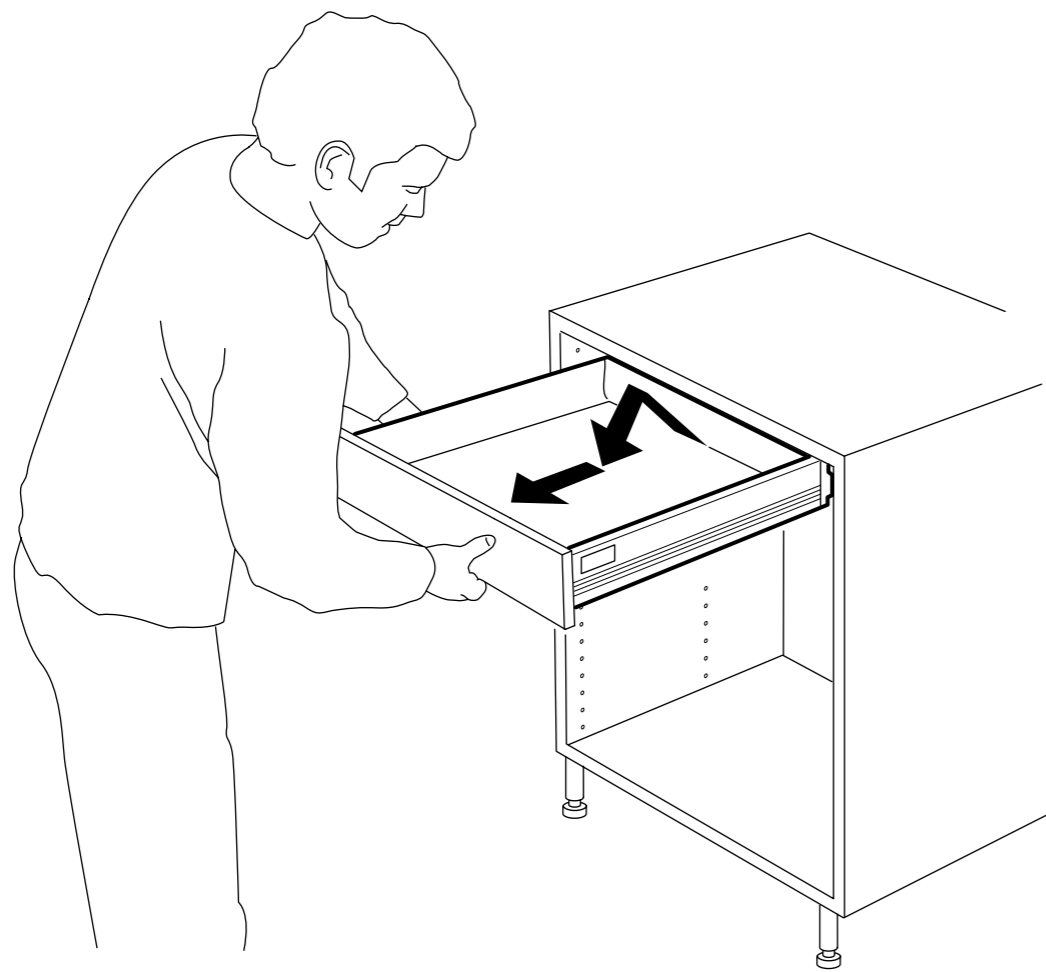


5

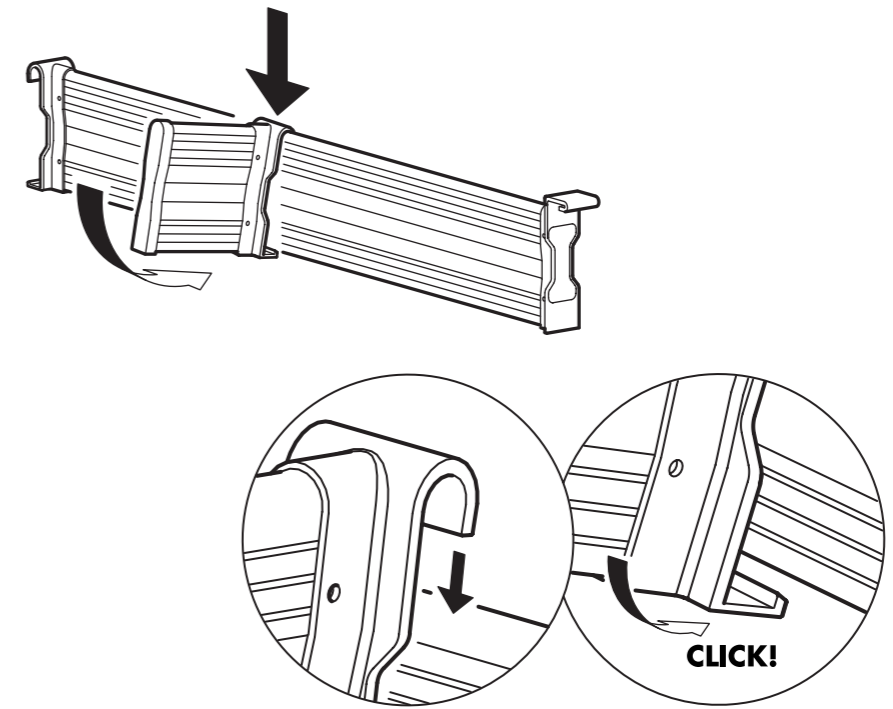




1



2



3

